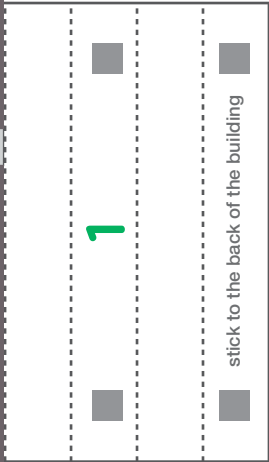


**1**

**A**  
insert and glue

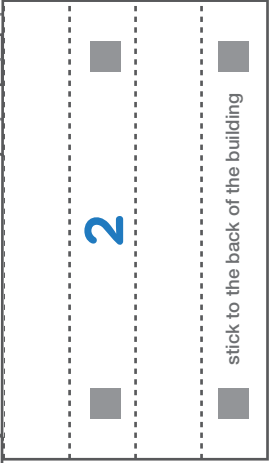
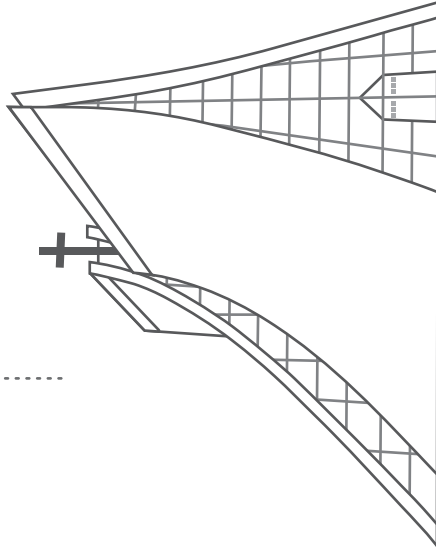
**2**

**B**  
insert and glue



**1**

stick to the back of the building



**2**

stick to the back of the building

◀ **COLOR IT!**

**FUN TO CREATE**

- cut
- - - valley fold
- · · mountain fold
- glue

Everson Museum of Art , Syracuse, NY

The Luce Chapel, Taichung, Taiwan

## facts about I.M. Pei

Name: IEOH MING PEI

Occupation: ARCHITECT

Birth date: April 26, 1917

Place of birth: GUANGZHOU, CHINA

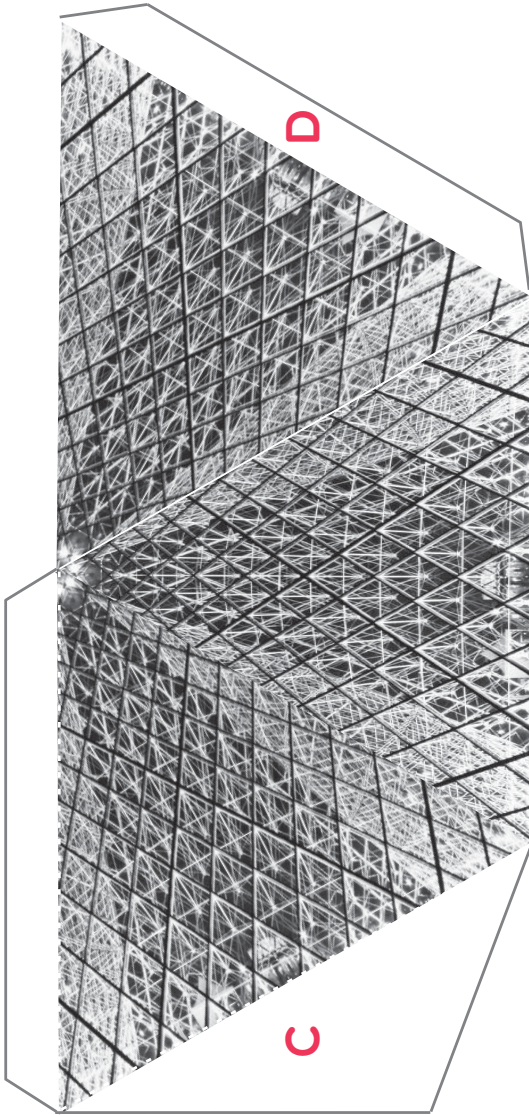
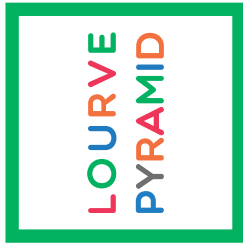
## famous work

LOUVRE PYRAMID (PYRAMIDE DU LOUVRE)

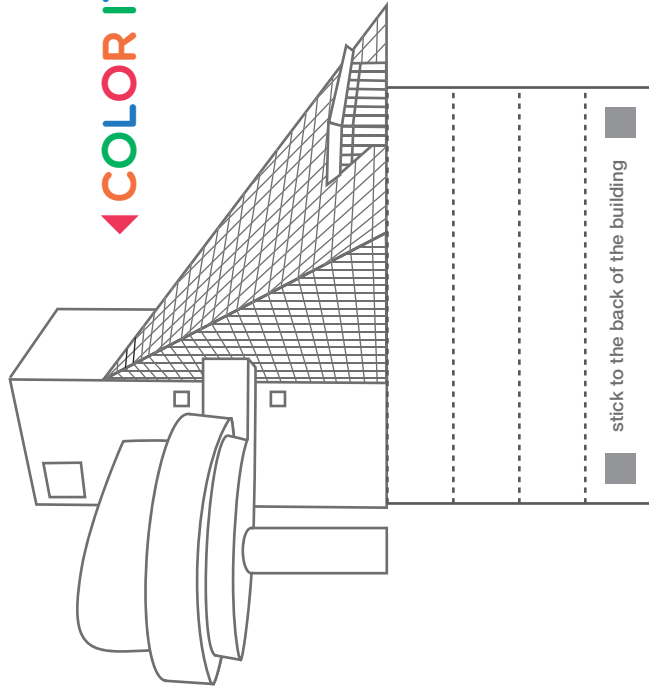
'The glass pyramid is a symbol that defines the entry to the louvre... Pyramid is one of the most structurally stable of forms, which assures its transparency. As it is constructed of glass and steel, it signifies a break with the architectural traditions of the past.'

(Quoted from the book 'Conversations with I.M. Pei' )

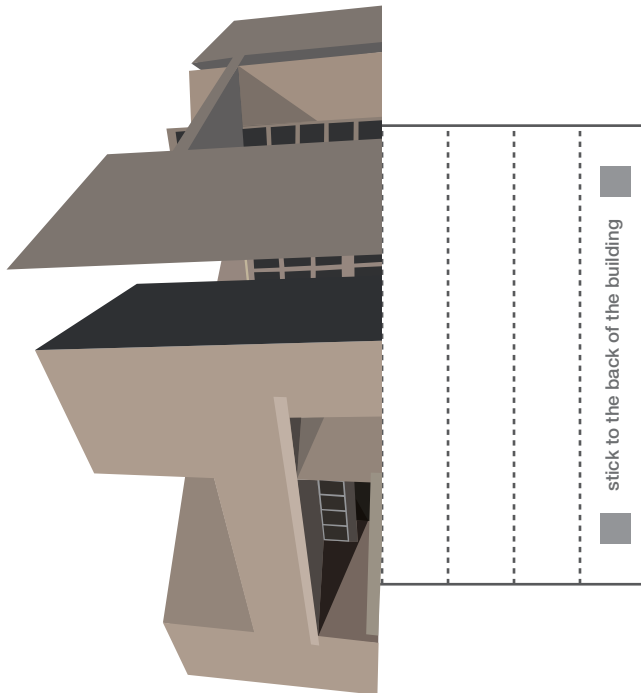
stick back to back



◀ COLOR IT!



Rock and Roll Hall of Fame and Museum,  
Cleveland, Ohio



National Gallery of Art/East Building,  
Washington, D.C.